

Conexão Instantâneas Série K

Características:

TIPO: Linha de conexões instantâneas para uso em circuitos de ar comprimido. Permitem fazer conexão e desconexão manualmente. (sem ferramentas) Roscas BSPP (G) e tubos métricos.

TEMPERATURA: 0°C à +60°C

PRESSÃO MÁXIMA: 10,5 kgf/cm² (150psi)

FLUÍDOS: Ar Comprimido

MATERIAIS: Latão Niquelado, Polímero de Engenharia e Buna-N

TUBOS: Poliuretano (PU), Poliamida(PA6 e PA12) e Nylon 6

CUIDADOS:

- Tubos devem ser métricos, o corte perpendicular e se possível leve lubrificação.
- A variação do tubo e riscos nas pontas podem ocasionar vazamentos e mal funcionamento das conexões.
- Para desconexão empurrar o anel da conexão e puxar o tubo simultaneamente.
- Existem uma vida útil relacionada a conexão e desconexão dos tubos. Para uso constante utilizar engates rápidos.

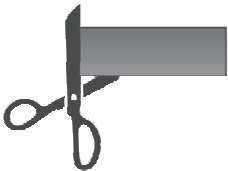
MONTAGEM: As conexões retas contam com sextavado interno e externo. As conexões joelho e "T" central são orientáveis para facilitar a montagem. Todas as roscas são BSPP (G) e contam com vedação de face.

IMPORTANTE: O dimensional das conexões é uma referência, podendo ocorrer pequenas diferenças.

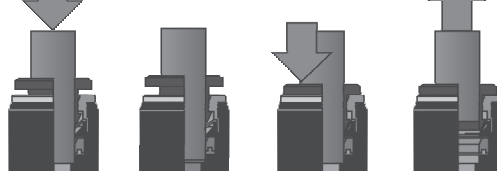


Codificação: Vide Dimensionais.

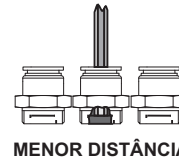
CORTAR TUBO PERPENDICULAR



INSERIR E REMOVER TUBO DA CONEXÃO



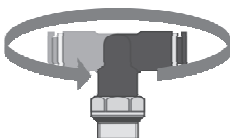
SEXTAVADO INTERNO



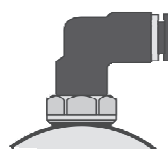
MENOR DISTÂNCIA



**SÃO ORIENTÁVEIS
NÃO GIRATÓRIAS**



**VEDAÇÃO EM
SUPERFÍCIES CURVAS**



CONFIGURAÇÃO DIFERENCIADA DE ASSENTAMENTO DE ROSCA DAS CONEXÕES SÉRIE K, GARANTE UM VEDAÇÃO PERFEITA ATRAVÉS DO ANEL "O-RING" MESMO EM SEDES ROSCADAS IMPERFEITAS.



CHANFRO GRANDE



CHANFRO PEQUENO



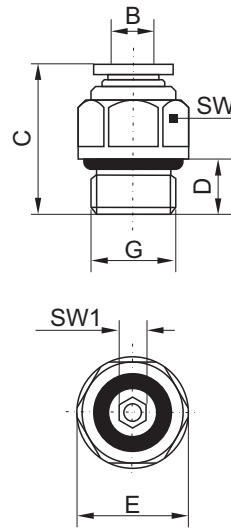
NÃO PERPENDICULAR

Conexão Instantâneas Série K

Dimensional:

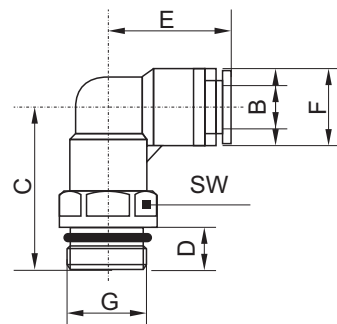
Conexão Retra

	ØB	G	C	D	E	SW	SW1	P(g)
K105047	4	M5	20,0	4	-	10	-	6
K105067	6	M5	21,1	4	-	12	-	7
K108047	4	G 1/8"	18,5	5,5	14	10	3	9
K108067	6	G 1/8"	21,6	5,5	14	12	4	10
K108087	8	G 1/8"	24,2	5,5	-	14	5	12
K108107	10	G 1/8"	26,4	5,5	-	17	5	17
K104047	4	G 1/4"	17,6	6	17	10	3	16
K104067	6	G 1/4"	21,3	6	17	12	5	-
K104087	8	G 1/4"	22,7	6	17	14	6	-
K104107	10	G 1/4"	30,2	6	-	17	6	19
K104127	12	G 1/4"	31,2	6	-	21	6	23
K103067	6	G 3/8"	20,0	7	21	12	5	21
K103087	8	G 3/8"	20,3	7	21	14	6	20
K103107	10	G 3/8"	24,5	7	21	17	8	20
K103127	12	G 3/8"	30,2	7	21	21	8	26
K103167	16	G 3/8"	33,4	7	-	24	-	43
K102067	6	G 1/2"	22,9	9	24	12	5	36
K102087	8	G 1/2"	24,0	9	24	19	6	34
K102107	10	G 1/2"	25,0	9	24	17	8	31
K102127	12	G 1/2"	29,3	9	24	21	8	36
K102147	14	G 1/2"	30,5	9	24	24	-	36
K102167	16	G 1/2"	36,8	9	-	24	-	42



Conexão Orientável "L"

	ØB	G	C	D	E	ØF	SW	P(g)
K205047	4	M5	22,0	4,0	18,0	11,0	10	8
K205067	6	M5	22,5	4,0	18,0	13,5	12	12
K208047	4	G 1/8"	22,2	5,5	18,0	11,0	14	11
K208067	6	G 1/8"	23,0	5,5	18,0	13,5	14	14
K208087	8	G 1/8"	27,5	5,5	22,9	14,5	14	16
K208107	10	G 1/8"	28,7	5,5	23,5	18,0	17	24
K204047	4	G 1/4"	26,0	6,0	18,0	11,0	17	12
K204067	6	G 1/4"	25,1	6,0	18,0	13,5	17	15
K204087	8	G 1/4"	25,5	6,0	22,9	14,5	17	17
K204107	10	G 1/4"	31,5	6,0	23,5	18,0	17	24
K204127	12	G 1/4"	35,0	6,0	29,2	20,5	21	32
K203067	6	G 3/8"	26,1	7,0	18,0	13,5	20	20
K203087	8	G 3/8"	29,5	7,0	22,9	14,5	20	22
K203107	10	G 3/8"	31,5	7,0	23,5	18,0	20	29
K203127	12	G 3/8"	35,0	7,0	29,2	20,5	21	35
K203167	16	G 3/8"	35,5	7,0	30,8	20,5	20	56
K202087	8	G 1/2"	33,5	9,0	22,9	14,5	24	30
K202107	10	G 1/2"	34,5	9,0	23,5	18,0	24	34
K202127	12	G 1/2"	32,5	9,0	29,2	20,5	24	40
K202167	16	G 1/2"	40,0	9,0	30,8	25,5	24	54

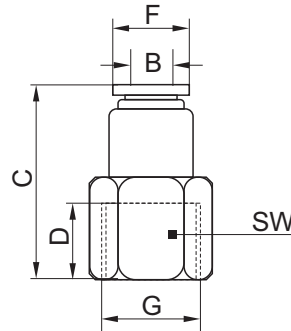


Conexão Instantâneas Série K

Dimensional:

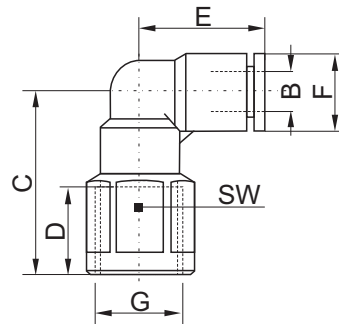
Conexão Reta Fêmea

	ØB	G	C	D	SW	P(g)
K238047	4	G 1/8"	23,7	7,0	14	11
K238067	6	G 1/8"	24,1	7,0	14	17
K238087	8	G 1/8"	26,0	7,0	14	25
K234047	4	G 1/4"	26,1	10,5	17	20
K234067	6	G 1/4"	27,2	10,5	17	21
K234087	8	G 1/4"	28,7	10,5	17	23
K234107	10	G 1/4"	30,8	10,5	17	33
K233067	6	G 3/8"	27,5	12,0	19	22
K233087	8	G 3/8"	29,0	12,0	19	24
K233107	10	G 3/8"	31,7	12,0	19	29
K232107	10	G 1/2"	34,0	14,0	24	42
K232127	12	G 1/2"	33,3	10,5	21	44



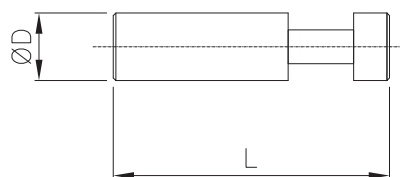
Conexão Orientável "L" Fêmea

	ØB	G	C	D	E	F	SW	P(g)
K225047	4	M5	22	4,5	18	11,0	10	10
K225067	6	M5	24,5	6,0	19,9	13,5	12	16
K228047	4	G 1/8"	25,0	9,0	18,0	11,0	14	11
K228067	6	G 1/8"	22,8	9,0	22,8	13,5	14	18
K228087	8	G 1/8"	22,6	9,0	22,9	14,5	14	19
K228107	10	G 1/8"	24,0	9,0	23,5	18,0	14	38
K224047	4	G 1/4"	25,0	10,5	18,0	11,0	17	24
K224067	6	G 1/4"	24,8	10,5	24,8	13,5	17	23
K224087	8	G 1/4"	28,5	10,5	22,9	14,5	17	25
K224107	10	G 1/4"	24,5	10,5	23,5	18,0	17	29
K224127	12	G 1/4"	28,4	10,5	29,2	20,5	17	43
K223067	6	G 3/8"	25,8	12,0	25,8	13,5	19	23
K223087	8	G 3/8"	29,5	12,0	22,9	14,5	19	25
K223107	10	G 3/8"	31,5	12,0	23,5	18,0	19	36
K223127	12	G 3/8"	33,5	12,0	29,2	20,5	21	36
K222067	16	G 1/2"	28,8	14,0	28,8	13,5	24	40
K222087	8	G 1/2"	32,5	14,0	22,9	14,5	24	41
K222107	10	G 1/2"	34,0	14,0	23,5	18,0	24	44
K222127	12	G 1/2"	37,4	14,0	29,2	20,5	24	49



Pino de Fechamento

	ØD	L
K120040	4	28
K120060	6	30
K120080	8	32
K120100	10	38
K120120	12	41
K120160	16	45

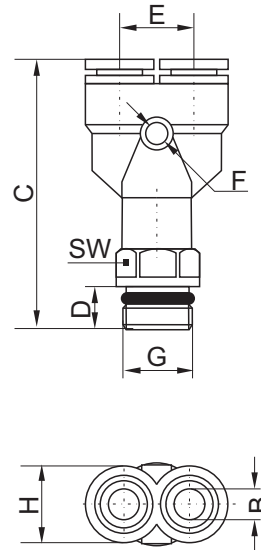


Conexão Instantâneas Série K

Dimensional:

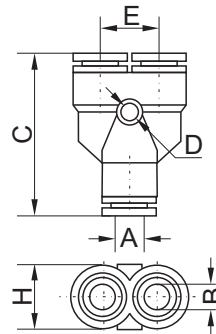
Conexão "Y" Macho

	∅B	G	C	D	E	F	H	SW	P(g)
K345067	6	M5	44,5	4,0	13,0	3,0	13,5	12	14,0
K348047	4	G 1/8"	39,0	5,5	10,5	3,0	11,0	14	12,0
K348067	6	G 1/8"	39,5	5,5	13,0	3,0	13,5	14	17,0
K348087	8	G 1/8"	45,5	5,5	14,0	3,0	14,5	14	19,0
K348107	10	G 1/8"	47,5	5,5	18,0	4,0	18,0	17	29,0
K344047	4	G 1/4"	39,5	6,0	10,5	3,0	11,0	17	14,0
K344067	6	G 1/4"	42,0	6,0	13,0	3,0	13,5	17	17,0
K344087	8	G 1/4"	48,5	6,0	14,0	3,0	14,5	17	21,0
K344107	10	G 1/4"	50,1	6,0	18,0	4,0	18,0	17	29,0
K344127	12	G 1/4"	59,5	6,0	20,5	4,0	20,5	21	41,0
K343067	6	G 3/8"	46,4	7,0	13,0	3,0	13,5	17	23,0
K343087	8	G 3/8"	48,0	7,0	14,0	3,0	14,5	20	25,0
K343107	10	G 3/8"	50,5	7,0	18,0	4,0	18,0	20	34,0
K343127	12	G 3/8"	60,5	7,0	20,5	4,0	20,5	21	44,0
K342087	8	G 1/2"	51,5	9,0	14,0	3,0	14,5	24	29,0
K342107	10	G 1/2"	53,5	9,0	18,0	4,0	18,0	24	39,0
K342127	12	G 1/2"	62,5	9,0	20,5	4,0	20,5	24	50,0



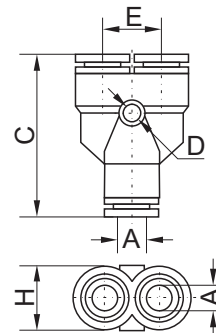
Conexão "Y" Redução

	∅A	∅B	C	D	E	F	H	P(g)
K516040	6	4	36,5	3	13,0	6	13,0	6
K518040	8	4	41,0	3	10,5	9	15,0	9
K518060	8	6	36,5	3	12,9	9	15,0	9
K511080	10	8	44,0	4	14,3	14	18,5	14
K511280	12	8	50,5	4	18,0	19	20,0	19
K511210	12	10	51,0	4	17,6	21	20,0	21



Conexão "Y" Fixa

	∅A	C	D	E	F	H	P(g)
K510040	4	35,5	3	10,5	6	11,0	6
K510060	6	37	3	12,9	9	13,0	9
K510080	8	39,5	3	14,3	11	15,0	11
K510100	10	49,5	4	17,6	19	18,5	19
K510120	12	52,5	4	20,7	26	20,0	26
K510160	16	55,5	5	26	33	24,0	33

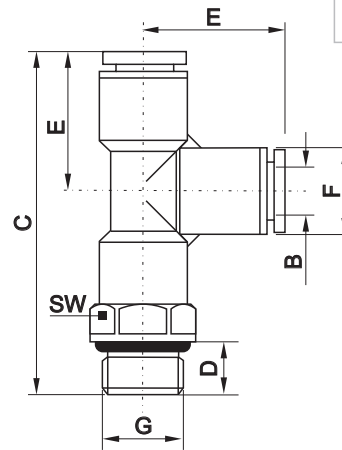


Conexão Instantâneas Série K

Dimensional:

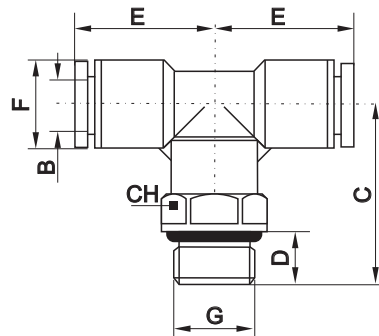
Conexão "T" Lateral

	ØB	G	C	D	E	ØF	SW	P(g)
K335047	4	M5	33,7	4,0	12,9	11,0	10	10
K335067	6	M5	37,0	4,0	14,5	13,5	12	15
K338047	4	G 1/8"	34,8	5,5	12,9	11,0	14	17
K338067	6	G 1/8"	38,5	5,5	14,5	13,5	14	17
K338087	8	G 1/8"	43,5	5,5	17,0	14,5	14	20
K338107	10	G 1/8"	47,0	5,5	18,5	18,0	17	30
K334047	4	G 1/4"	37,3	6,0	12,9	11,0	17	17
K334067	6	G 1/4"	40,5	6,0	14,5	13,5	17	18
K334087	8	G 1/4"	45,5	6,0	17,0	14,5	17	21
K334107	10	G 1/4"	49,0	6,0	18,5	18,0	17	31
K334127	12	G 1/4"	58,5	6,0	23,0	20,5	21	40
K333067	6	G 3/8"	41,0	7,0	14,5	13,5	20	23
K333087	8	G 3/8"	46,0	7,0	17,0	14,5	20	26
K333107	10	G 3/8"	49,5	7,0	18,5	18,0	20	34
K333127	12	G 3/8"	59,0	7,0	23,0	20,5	21	43
K333167	16	G 3/8"	65,0	7,0	30,5	25,5	20	65
K332087	8	G 1/2"	49,5	9,0	17,0	14,5	24	30
K332107	10	G 1/2"	52,5	9,0	18,5	18,0	24	40
K332127	12	G 1/2"	61,5	9,0	23,0	20,5	24	48
K332167	16	G 1/2"	68,5	9,0	30,5	25,5	24	71



Conexão "T" Central

	ØB	G	C	D	E	F	SW	P(g)
K405047	4	M5	21,0	4,0	18,0	11,0	10,0	10,0
K405067	6	M5	23,5	4,0	18,5	13,5	12,0	15,0
K408047	4	G 1/8"	22,2	5,5	13,0	11,0	14,0	12,0
K408067	6	G 1/8"	24,6	5,5	15,0	13,5	14,0	17,0
K408087	8	G 1/8"	26,5	5,5	17,0	14,5	14,0	20,0
K408107	10	G 1/8"	28,7	5,5	19,0	18,0	14,0	30,0
K404047	4	G 1/4"	24,3	6,0	13,0	11,0	17,0	16,0
K404067	6	G 1/4"	25,1	6,0	15,0	13,5	17,0	18,0
K404087	8	G 1/4"	28,5	6,0	17,0	14,5	17,0	21,0
K404107	10	G 1/4"	30,5	6,0	19,0	18,0	17,0	31,0
K404127	12	G 1/4"	35,5	6,0	23,0	20,5	17,0	40,0
K403067	6	G 3/8"	26,1	7,0	15,0	13,5	20,0	23,0
K403087	8	G 3/8"	29,0	7,0	17,0	14,5	20,0	26,0
K403107	10	G 3/8"	30,2	7,0	19,0	18,0	20,0	34,0
K403127	12	G 3/8"	35,5	7,0	23,0	20,5	20,0	43,0
K403167	16	G 3/8"	39,5	7,0	31,0	25,5	20,0	65,0
K402067	6	G 1/2"	30,0	9,0	15,0	13,5	24,0	27,0
K402087	8	G 1/2"	32,5	9,0	17,0	14,5	24,0	30,0
K402107	10	G 1/2"	34,0	9,0	19,0	18,0	24,0	41,0
K402127	12	G 1/2"	38,5	9,0	23,0	20,5	24,0	48,0
K402167	16	G 1/2"	43,0	9,0	31,0	25,5	24,0	71,0

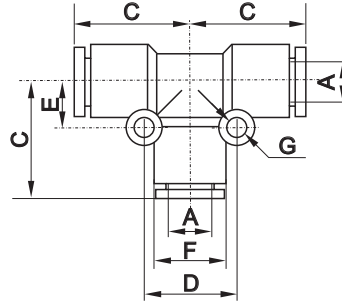


Conexão Instantâneas Série K

Dimensional:

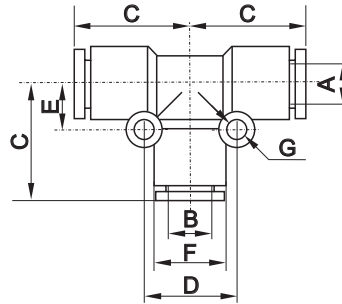
Conexão União "T" Fixo

	ØA	C	D	E	ØF	G	P(g)
K700040	4	18,8	14	8	11,0	3	6
K700060	6	19,0	16	9	13,0	3	9
K700080	8	22,6	18	10	15,0	3	11
K700100	10	28,0	24	11	18,5	4	20
K700120	12	28,3	25	12	20,0	4	25
K700160	16	32,5	28	22	24,0	5	35



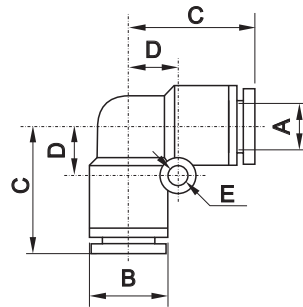
Conexão União "T" Redução

	ØA	ØB	C	D	E	ØF	G	P(g)
K756040	6	4	19,0	14,0	9	13,3	3	6
K758040	8	4	22,5	16,6	10	14,5	3	6
K758060	8	6	22,6	16,6	10	14,5	3	9
K751080	10	8	26,5	18,4	11	18,2	4	14
K751210	12	10	28,3	22,5	12	20,6	4	19



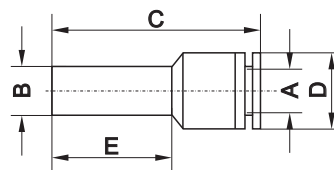
Conexão União "L"

	ØA	ØB	C	D	E	P(g)
K600040	4	11,0	18,8	18,8	3	4
K600060	6	13,0	19,0	19,0	3	6
K600080	8	15,0	22,6	22,6	3	7
K600100	10	18,5	27,8	27,8	4	13
K600120	12	20,0	28,3	28,3	4	17
K600160	16	24,0	32,5	32,5	5	24



Plug Redutor

	ØA	ØB	C	ØD	E	P(g)
K256040	4	6	38,5	11,0	22	3
K258040	4	8	39,0	11,0	25	4
K258060	6	8	41,5	13,0	25	4
K251060	6	10	40,8	13,0	26,5	5
K251080	8	10	44,5	15,0	26,5	5
K251280	8	12	43,0	15,0	26,5	6
K251210	10	12	51,0	18,5	26,5	8

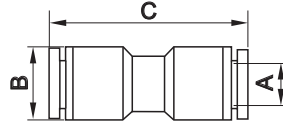


Conexão Instantâneas Série K

Dimensional:

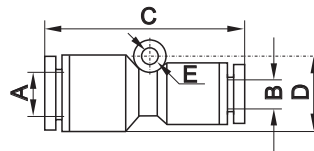
Conexão União Reta

	ØA	ØB	C	P(g)
K500040	4	11,0	32,5	4
K500060	6	13,0	35,0	6
K500080	8	15,0	39,0	7
K500100	10	18,5	48,0	12
K500120	12	20,0	48,0	16
K500140	14	23,5	50,8	18
K500160	16	24,0	34,0	21



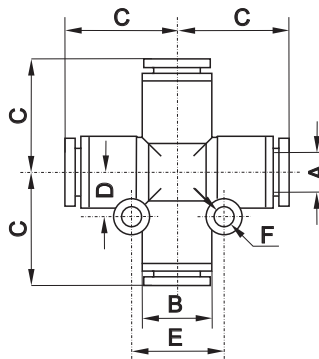
União Redução

	ØA	ØB	C	D	E	P(g)
K246040	6	4	29,6	11,0	3	5
K248040	8	4	32,6	13,0	3	6
K248060	8	6	32,7	13,0	3	6
K241060	10	6	36,7	15,0	3	10
K241080	10	8	37,1	15,0	4	10
K241280	12	8	41,1	18,0	4	13
K241210	12	10	40,9	18,0	4	14
K241612	16	12	64,0	25,0	4	22



União em "X"

	ØA	B	C	ØE	F	P(g)
K260040	4	11,0	18,0	14,0	3	7
K260060	6	13,0	20,0	16,0	3	12
K260080	8	15,0	23,0	18,0	3	14
K260100	10	18,5	28,5	24,0	4	25
K260120	12	20,0	29,0	25,0	4	35
K260160	16	24,0	32,5	28,0	5	42



União para Painel

	ØA	B	C	SW	P(g)
K800040	4	M12x1	30	14	27
K800060	6	M14x1	31	17	32
K800080	8	M16x1	35	19	32
K800100	10	M20x1	42	24	52
K800120	12	M22x1	46	27	65
K800160	16	M27x1	47	32	85

